

New | s

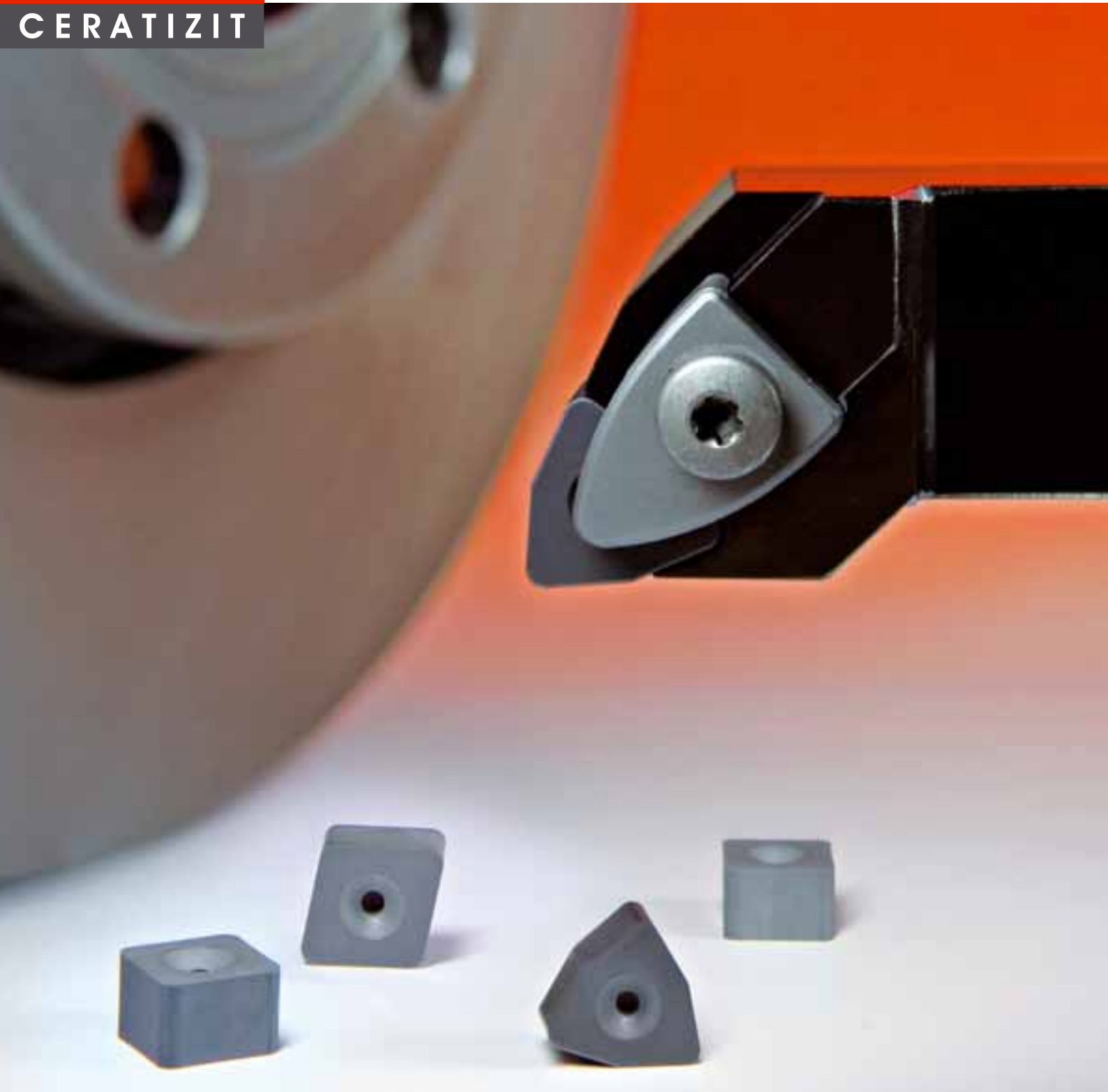
C-Clamp

Long lasting security.



hard material matters

CERATIZIT



hard material matters

□ APPLICATIONS

Turning of cast iron

Turning operations of cast iron using ceramic or CBN are carried out at ever increasing cutting speed, causing high temperatures and forces which create stress on the clamping system. The clamping claw also is exposed to massive wear, as the swarf evacuation speed is extremely high. Normal clamping claws made of steel are not sufficiently resistant to these challenges. Carbide with suitable stress resistance properties is the ideal material to ensure process security even in the case of the most demanding applications. C-Clamp represents the ultimate solution for high-performance turning.

Industries, applications

- Automotive
- General mechanical engineering
- Roll manufacturers
- Forging companies
- Aerospace

Materials

- General cast iron
- Grey cast iron
- Spheroidal cast iron
- Chilled castings
- Malleable iron

Typical components

- Brake disks
- Brake drums
- Flywheels
- Housings
- Turned castings in general



□ PRODUCT FEATURES - CHARACTERISTICS

C-Clamp



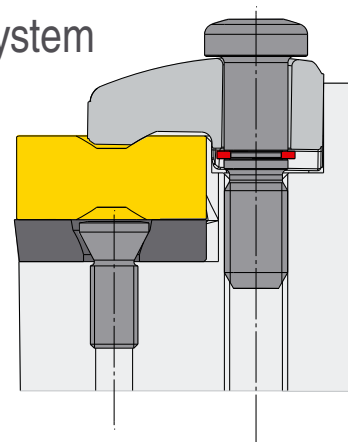
- Claw made of special carbide characterized by high wear resistance and vibration damping properties
- 20–50-times increased durability compared to claws made of steel
- High cutting speed possible together with maximum feed rates
- TorxPlus screw for secure clamping and durability

Contact face



- Large contact face in the clamping zone of clamping claw and 'dimple'
- No wear in the area of the clamping zone

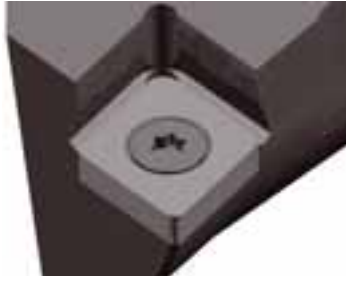
Clamping system advantages



- Both the design and torque moment of 8 Nm guarantee maximum stability
- Stable insert position during the entire application is possible even under maximum stress
- Claw, spring and clamping screw are firmly connected = one spare part

PRODUCT FEATURES - CHARACTERISTICS

Insert seat



- The special geometry of the insert seat allows precise clamping of inserts already showing excessive wear

Ceramic



CBN



- C-Clamp, specially tailored to the cutting materials ceramic and CBN
- 'Dimples' for form-lock

Special tools



- The C-Clamp is perfectly suitable for special tools
- CERATIZIT express service for custom-made tools (3 weeks)

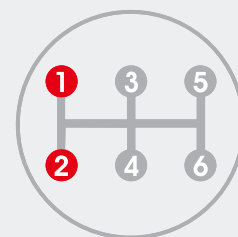
CUSTOMER BENEFITS

Application **advantages**

- Most wear resistant claw available in the market, cutting speed reduction due to claw wear is no longer necessary
- Maximum clamping force, the insert is reliably kept in its first position during the entire tool life even under maximum stress
- Simplified spare part management, 'one set for everything'
- TorxPlus system for secure transmission of torque moments and longer tool life of the screw
- Concentric 'dimple', form lock, high flexibility for special approach angle and special tool holders
- Secure, even if worn or damaged inserts

VALUES

CERATIZIT CORPORATE VALUES



- 1** The views and focus of our business partners matter
 - Instead of talking product with customers, we work on real solutions for business partners.
- 2** Innovative and flexible thinking matters
 - We have the power to challenge state-of-the-art technologies and the courage to develop intelligent alternatives
 - Our speed of thought and decisive actions give us a leading edge.

New | s



hard material matters

CERATIZIT

You may request more detailed information at www.ceratizit.com!

Headquarters: CERATIZIT S.A.

Route de Holzem, B.P. 51
L-8201 Mamer
Tel.: +352 312 085-1
Fax: +352 311 911
E-mail: info@ceratizit.com
www.ceratizit.com

Contact for further information:

CERATIZIT Austria Gesellschaft m.b.H.
A-6600 Reutte/Tyrol
Tel.: +43 (5672) 200-0
Fax: +43 (5672) 200-502
E-mail: info.austria@ceratizit.com
www.ceratizit.com

